

# Loblolly Pine

## Ground Floor



### Statistics

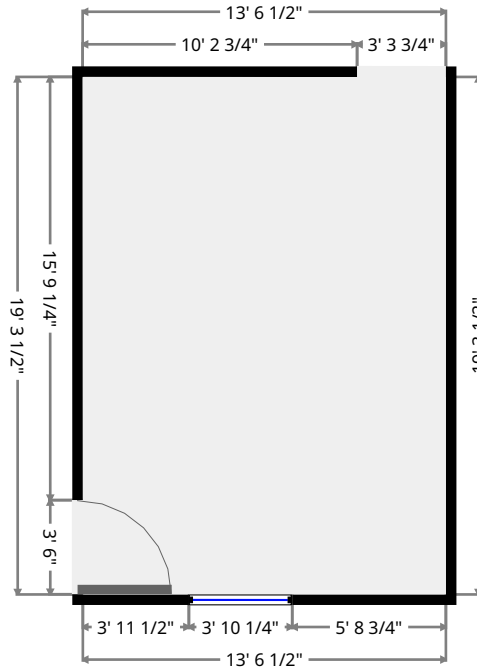
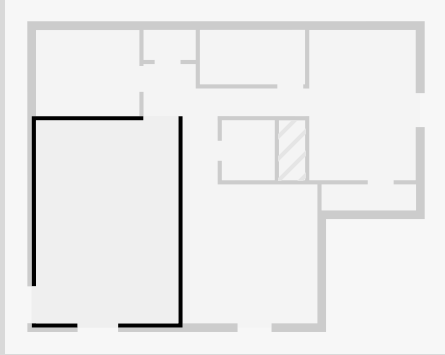
845 sq ft  
1 Floor  
2 Bedrooms  
1 Bathroom

THIS FLOORPLAN IS PROVIDED WITHOUT WARRANTY OF ANY KIND. SENSOPIA DISCLAIMS ANY WARRANTY INCLUDING, WITHOUT LIMITATION, SATISFACTORY QUALITY OR ACCURACY OF DIMENSIONS.



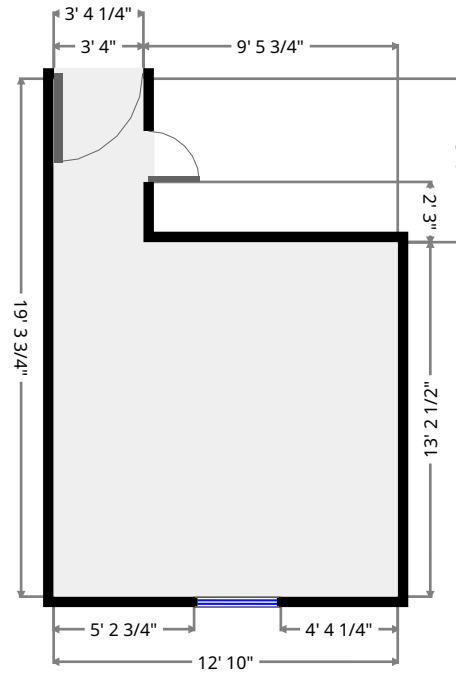
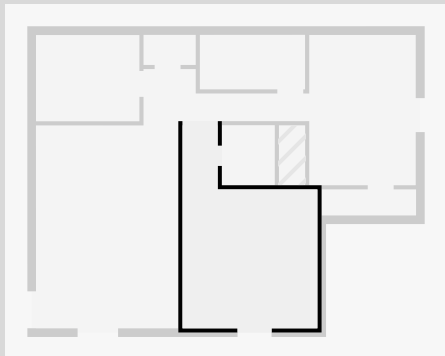
# Living Room

Width: 13' 6 1/2"  
 Length: 19' 3 1/2"  
 Area: 261.11 sq ft  
 Perimeter: 65' 7 3/4"  
 Ceiling Height: 7' 9 1/2"



# Bedroom

Width: 12' 10"  
 Length: 19' 3 3/4"  
 Area: 189.79 sq ft  
 Perimeter: 64' 3"  
 Ceiling Height: 7' 9 1/2"

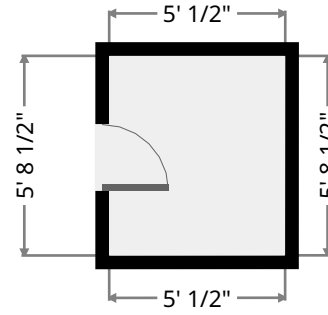
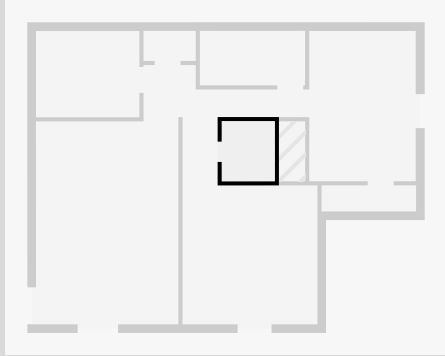


THIS FLOORPLAN IS PROVIDED WITHOUT WARRANTY OF ANY KIND. SENSOPRIA DISCLAIMS ANY WARRANTY INCLUDING, WITHOUT LIMITATION, SATISFACTORY QUALITY OR ACCURACY OF DIMENSIONS.



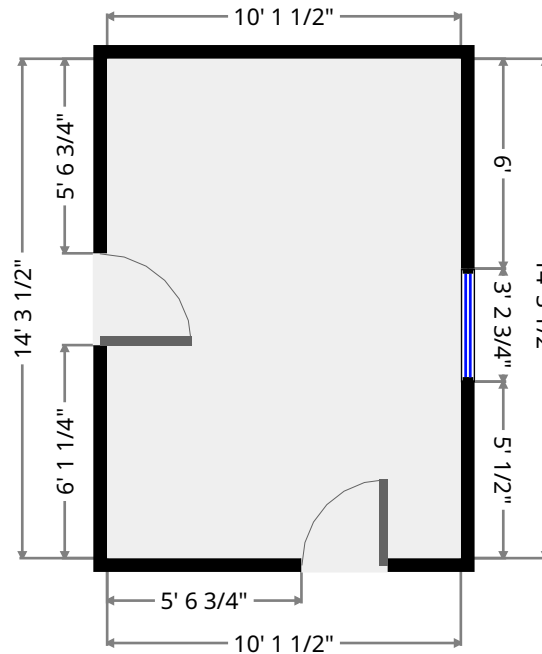
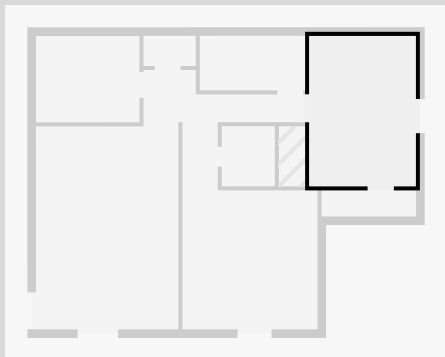
## Closet

Width: 5' 1/2"  
 Length: 5' 8 1/2"  
 Area: 28.73 sq ft  
 Perimeter: 21' 5 3/4"  
 Ceiling Height: 7' 9 1/2"

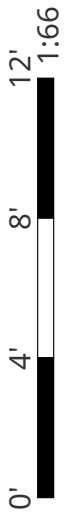


## Bedroom

Width: 10' 1 1/2"  
 Length: 14' 3 1/2"  
 Area: 144.53 sq ft  
 Perimeter: 48' 9 3/4"  
 Ceiling Height: 7' 9 1/2"

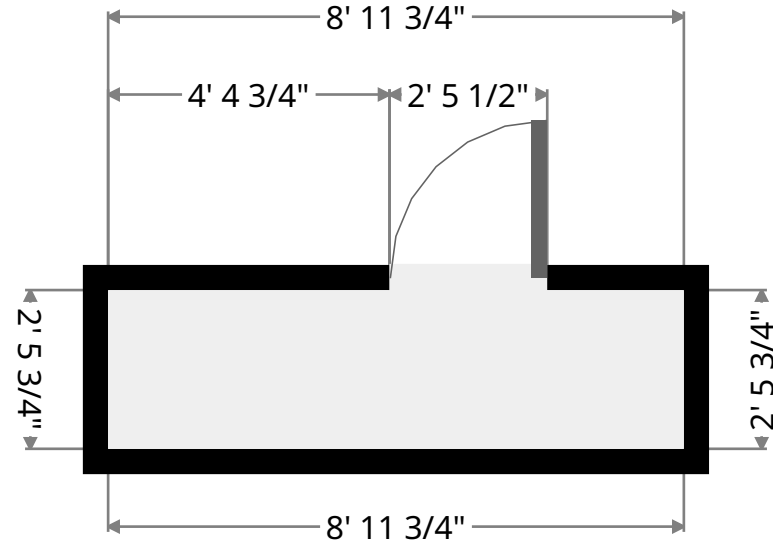
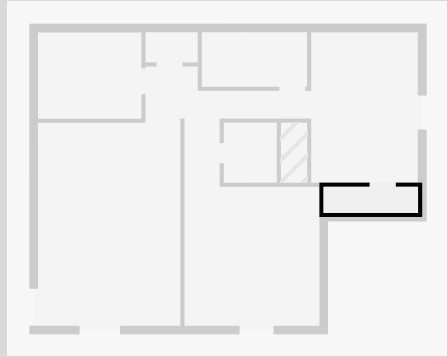


THIS FLOORPLAN IS PROVIDED WITHOUT WARRANTY OF ANY KIND. SENSOPIA DISCLAIMS ANY WARRANTY INCLUDING, WITHOUT LIMITATION, SATISFACTORY QUALITY OR ACCURACY OF DIMENSIONS.



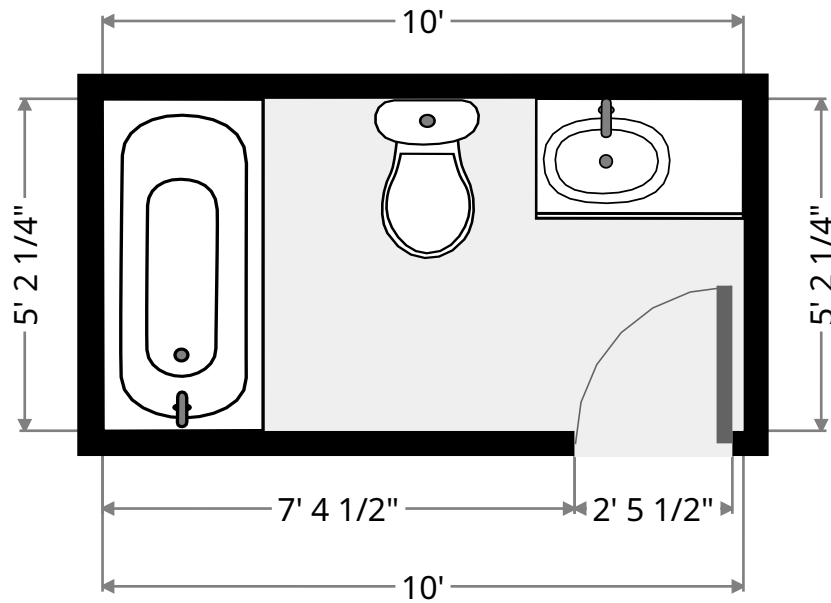
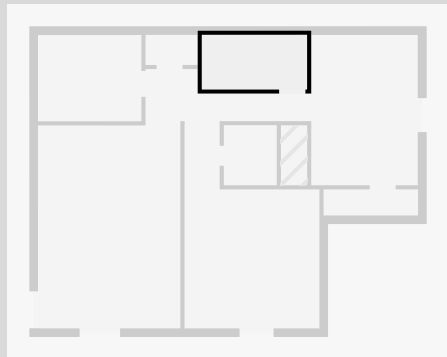
## Closet

Width: 2' 5 3/4"  
 Length: 8' 11 3/4"  
 Area: 22.25 sq ft  
 Perimeter: 22' 11"

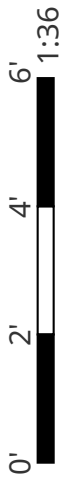


## Bathroom

Width: 5' 2 1/4"  
 Length: 10'  
 Area: 51.79 sq ft  
 Perimeter: 30' 4 1/4"  
 Ceiling Height: 7' 9 1/2"

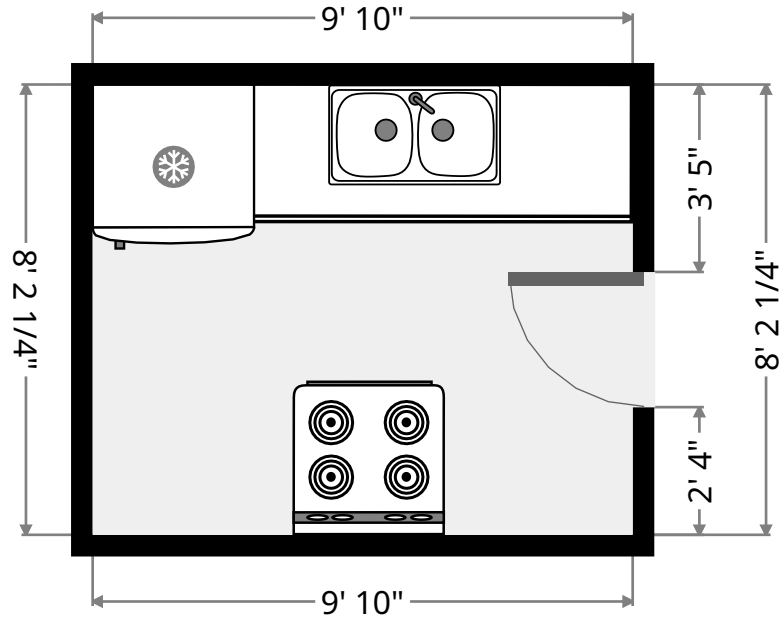


THIS FLOORPLAN IS PROVIDED WITHOUT WARRANTY OF ANY KIND. SENSOPIA DISCLAIMS ANY WARRANTY INCLUDING, WITHOUT LIMITATION, SATISFACTORY QUALITY OR ACCURACY OF DIMENSIONS.



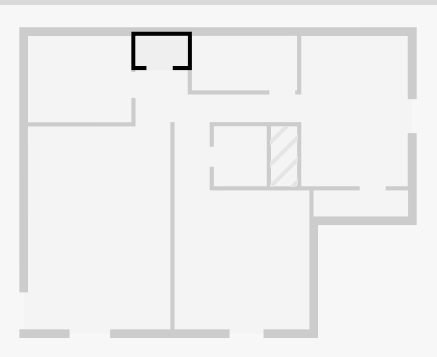
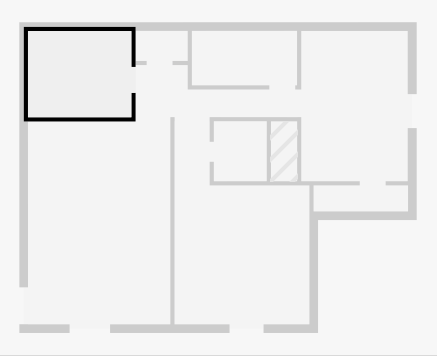
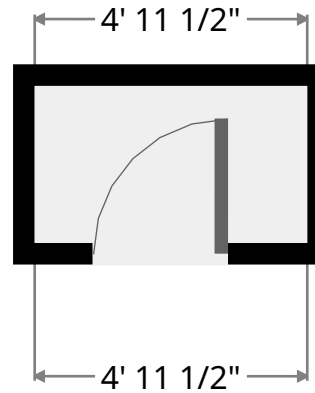
## Kitchen

Width: 8' 2 1/4"  
Length: 9' 10"  
Area: 80.57 sq ft  
Perimeter: 36' 3/4"  
Ceiling Height: 7' 9 1/2"



## Closet

Width: 2' 10 1/4"  
Length: 4' 11 1/2"  
Area: 14.19 sq ft  
Perimeter: 15' 7 3/4"  
Ceiling Height: 7' 9 1/2"

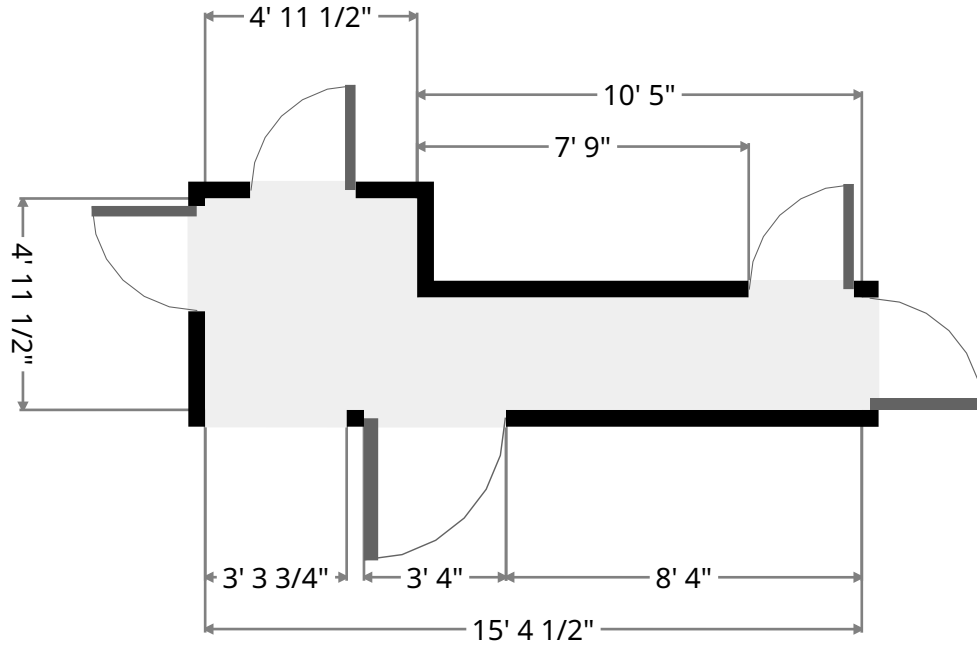
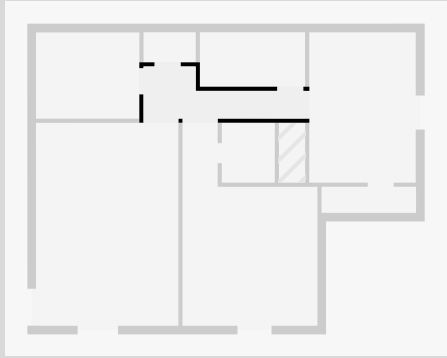


THIS FLOORPLAN IS PROVIDED WITHOUT WARRANTY OF ANY KIND. SENSOPIA DISCLAIMS ANY WARRANTY INCLUDING, WITHOUT LIMITATION, SATISFACTORY QUALITY OR ACCURACY OF DIMENSIONS.



# Hall

Width: 4' 11 1/2"  
Length: 15' 4 1/2"  
Area: 51.92 sq ft  
Perimeter: 40' 7 1/2"



THIS FLOORPLAN IS PROVIDED WITHOUT WARRANTY OF ANY KIND. SENSOPIA DISCLAIMS ANY WARRANTY INCLUDING, WITHOUT LIMITATION, SATISFACTORY QUALITY OR ACCURACY OF DIMENSIONS.

